



CD-2xx-E00-00

WALL MOUNT - CO₂ + TEMPERATURE TRANSMITTER

Johnson Controls offers a Carbon Dioxide (CO₂) and temperature wall mount transmitter for measuring the CO₂ levels and the relevant temperature. Optional with humidity measurement (CD-3xx-E00-00).

Typical applications are schools, office buildings, hotels, cinemas or similar. This new CO₂ transmitter is easy to install and requires no maintenance or field calibration.

The CD-xxx Series incorporates a single beam dual wavelength NDIR CO₂ sensor, which compensates for ageing effects, is highly. The SCD Transmitter is available with up to 3 x 0-10V outputs (CO₂, Temperature and relative humidity).

FEATURES

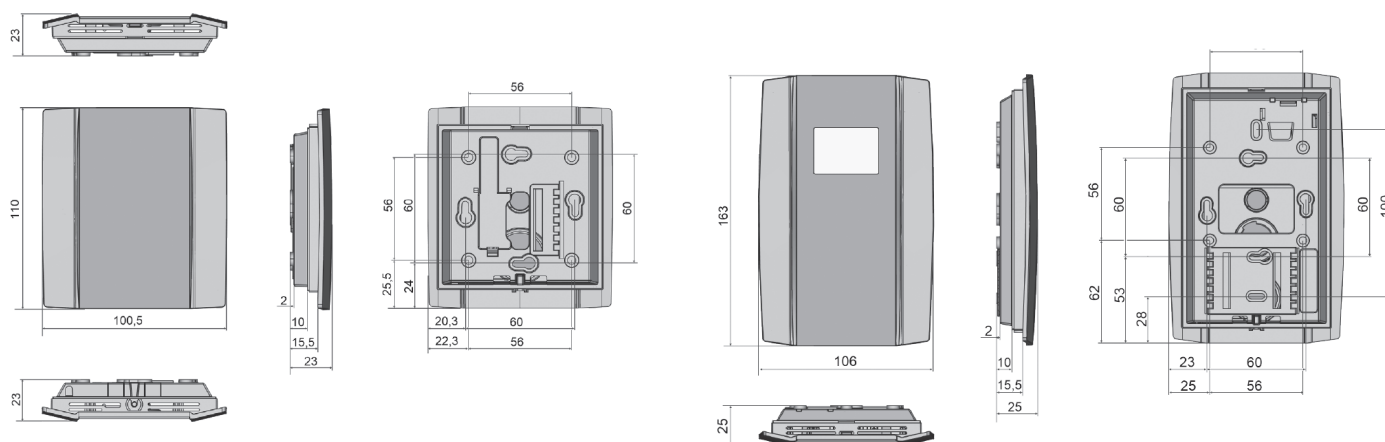
- Power Supply 15..35 V = or 19..29 V ~ SELV
- Model: active, 2x 0..10 V or 2x 4..20 mA, temperature + CO₂ / active, 3x 0..10V, CO₂ + temperature + relative humidity
- Measuring range: CO₂: 0..2000 ppm
- Accuracy CO₂: ±(50 ppm +3% of measured value) (typ. @ 21°C, 50% rH)
- Connection electrical: tool-free mountable spring terminal, max. 1,5 mm²
- Calibration: self-calibration, Dual Channel
- Optional with LCD Display



CARBON DIOXIDE

CD-2xx-E00-00 WALL MOUNT - CO₂ + TEMPERATURE TRANSMITTER

DIMENSIONS (in mm)



SCD-200-E00-00 / SCD-220-E00-00

SCD-201-E00-00 / SCD-221-E00-00

ORDERING INFORMATION

| CODES | MEASURING | TYPE | DISPLAY | ACCURACY CO ₂ | ACCURACY TEMPERATURE | PROTECTION CLASS | POWER SUPPLY | ANALOGUE OUTPUT |
|----------------|-------------------------------|------|---------------------------------|--|-------------------------|----------------------------|-------------------------------|-----------------------------------|
| SCD-200-E00-00 | CO ₂ + temperature | ROOM | -- | ±(50 ppm +3% of measured value) (typ. @ 21°C, 50% rH) | ±0,5K (typ. at 21°C) | IP20 according to EN 60529 | 15..35 V = or 19..29 V ~ SELV | 2x 0..10 V, min. load 10 kΩ |
| SCD-201-E00-00 | | | LCD 29x35 mm with RGB backlight | | | | | |
| SCD-220-E00-00 | | | -- | | | | 15..35 V = SELV | 2x 4..20 mA, max load 500 Ω |
| SCD-221-E00-00 | | | LCD 29x35 mm with RGB backlight | | | | | |